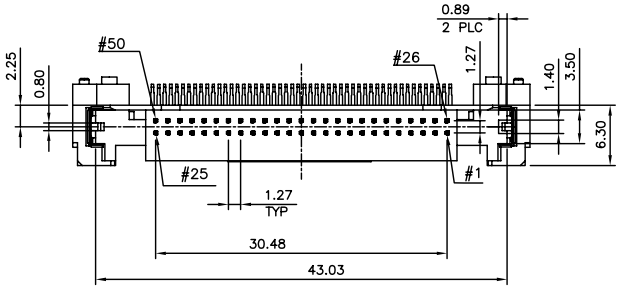
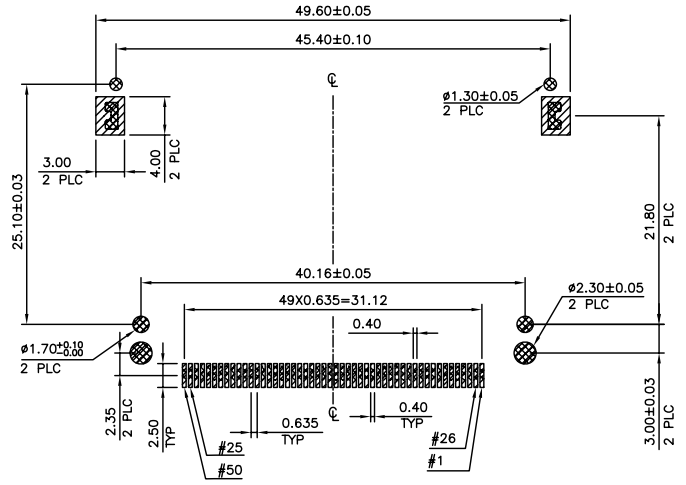


THIS DRAWING IS UNPUBLISHED. RELEASED FOR PUBLICATION
 © COPYRIGHT BY TYCO ELECTRONICS CORPORATION. ALL RIGHTS RESERVED.

LOC	DIST	REVISIONS					
DW		P	LTR	DESCRIPTION	DATE	DWN	APVD
		A1		ECR-08-003233, CORRECT T&R PACKING QTY	20FEB08	SC	WK

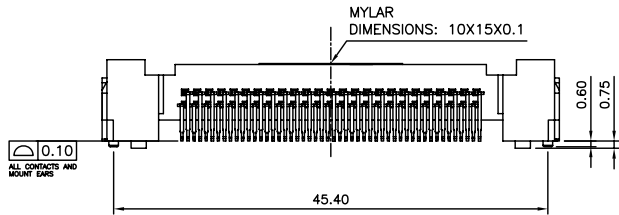
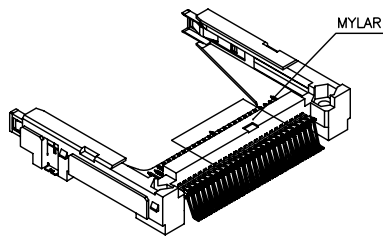
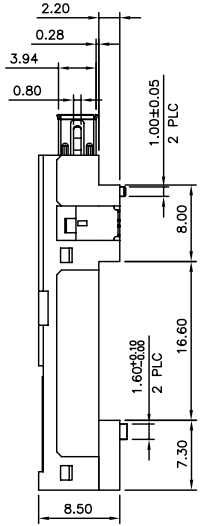
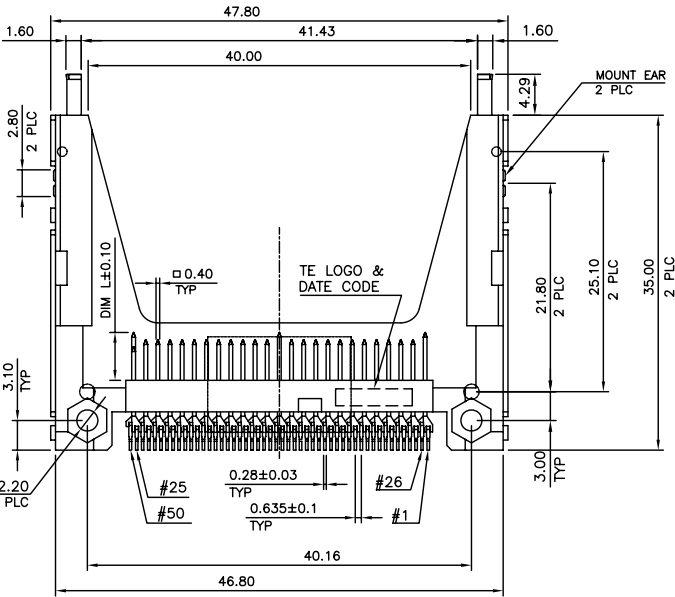


POWER	5.00mm
GENERAL	4.25mm
DETECT	3.50mm
PIN TYPE	INTERFACE DIM. L



☒ AREA OF ACTUAL TERMINAL CONTACT WITH P.C.B.
 ☒ RECOMMENDED P.C.B. LAYOUT (TOLERANCE: ±0.05)

- NOTE:
- MATERIAL:
 HOUSING: LCP WITH 30% GF, UL 94V-0, WHITE COLOR.
 CONTACTS: BRASS.
 MOUNT EAR: BRASS.
 GROUNDING: PHOSPHOR BRONZE.
 - FINISH:
 CONTACTS: 0.381µm [15µ"] GOLD PLATED ON CONTACT AREA, 2.54µm [100µ"] MIN. MATTE-TIN ON SOLDER TAIL, WITH ENTIRE CONTACT UNDERPLATED 1.27µm [50µ"] MIN. NICKEL.
 MOUNT EAR: 2.54µm [100µ"] MIN. TIN PLATED ON SOLDER AREA 1.27µm [50µ"] MIN. NIKEL UNDERPLATED ALL OVER.
 GROUNDING: 2.03µm [80µ"] MIN. NIKEL UNDERPLATED ALL OVER.
 - REFLOW SOLDER CAPABLE TO 260°C PER TE TEST SPEC. 109-201, CONDITION B.

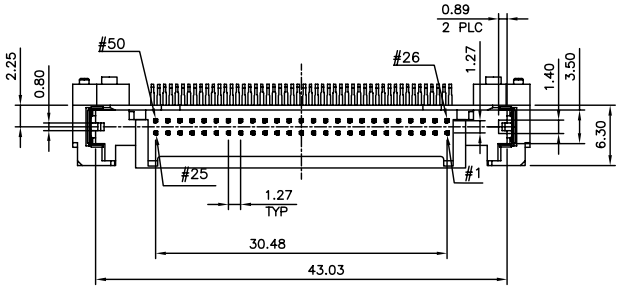


TRAY	W/	1-1734450-1
	W/O	1734450-1
PACKAGE	MYLAR	PART NUMBER

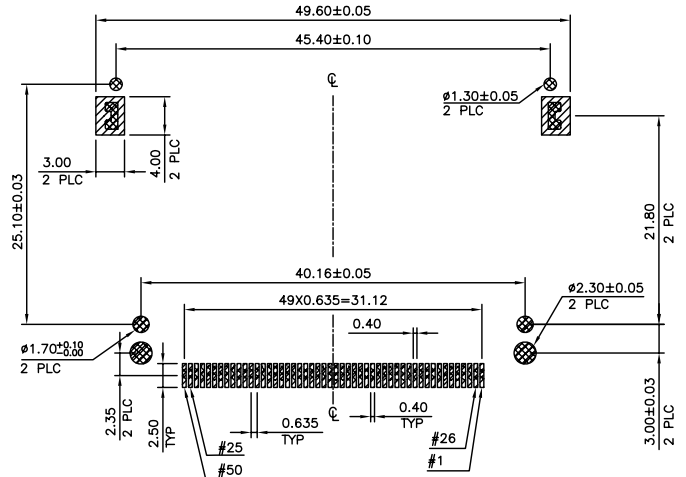
THIS DRAWING IS A CONTROLLED DOCUMENT.		DWN	O. HU	03MAY2007	Tyco Electronics Corporation Taipei, Taiwan
DIMENSIONS: MM		CHK	S. HOU	03MAY2007	
TOLERANCES UNLESS OTHERWISE SPECIFIED:		APVD	W.J. KE	03MAY2007	NAME
0 PLC ± 0.5		PRODUCT SPEC		108-57134	
1 PLC ± 0.3		QUALIFICATION TEST REPORT		501-57118	
2 PLC ± 0.2		WEIGHT		4.64 GRAMS	
3 PLC ±		SIZE		A3	
4 PLC ±		CAGE CODE		00779	
ANGLES ± 2'		DRAWING NO		G=1734450	
MATERIAL SEE NOTE		FINISH SEE NOTE		CUSTOMER DRAWING	
		SCALE		SHEET 1 OF 4	
				REV A1	

THIS DRAWING IS UNPUBLISHED. RELEASED FOR PUBLICATION
 © COPYRIGHT BY TYCO ELECTRONICS CORPORATION. ALL RIGHTS RESERVED.

LOC DW	DIST	REVISIONS		
P	LTR	DESCRIPTION	DATE	DWN APVD
		SEE SHEET 1.		



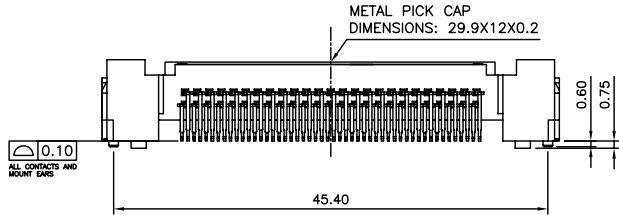
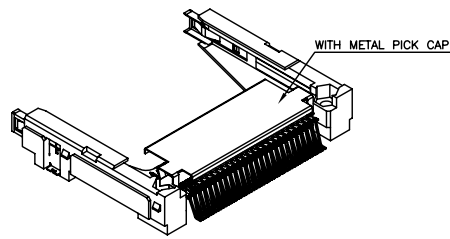
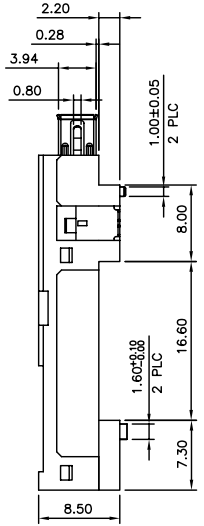
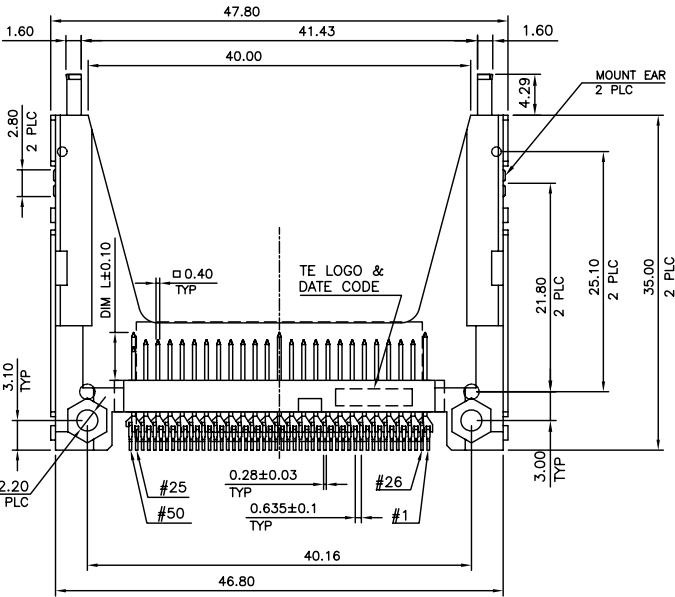
POWER	5.00mm
GENERAL	4.25mm
DETECT	3.50mm
PIN TYPE	INTERFACE DIM. L



☒ AREA OF ACTUAL TERMINAL CONTACT WITH P.C.B.
 ☒ RECOMMENDED P.C.B. LAYOUT (TOLERANCE: ±0.05)

NOTE:

- MATERIAL:
 HOUSING: LCP WITH 30% GF, UL 94V-0, WHITE COLOR.
 CONTACTS: BRASS.
 MOUNT EAR: BRASS.
 GROUNDING: PHOSPHOR BRONZE.
 PICKCAP: STEEL.
- FINISH:
 CONTACTS: 0.381µm [15µ"] GOLD PLATED ON CONTACT AREA,
 2.54µm [100µ"] MIN. MATTE-TIN ON SOLDER TAIL, WITH
 ENTIRE CONTACT UNDERPLATED 1.27µm [50µ"] MIN. NICKEL.
 MOUNT EAR: 2.54µm [100µ"] MIN. TIN PLATED ON SOLDER AREA
 1.27µm [50µ"] MIN. NIKEL UNDERPLATED ALL OVER.
 GROUNDING: 2.03µm [80µ"] MIN. NIKEL UNDERPLATED ALL OVER.
- REFLOW SOLDER CAPABLE TO 260°C PER TE TEST SPEC.
 109-201, CONDITION B.



REEL	W/	1-1734450-2
PACKAGE	METAL CAP	PART NUMBER

THIS DRAWING IS A CONTROLLED DOCUMENT.		DWN	Tyco Electronics Corporation Tapei, Taiwan													
DIMENSIONS: MM		CHK	NAME													
TOLERANCES UNLESS OTHERWISE SPECIFIED:		APVD	PIN HEADER TYPE 2, 50 POS, SMT, TOP BOARD, COMPACT FLASH CARD, STAND OFF 2.2													
<table border="1"> <tr> <td>0 PLC</td> <td>± 0.5</td> </tr> <tr> <td>1 PLC</td> <td>± 0.3</td> </tr> <tr> <td>2 PLC</td> <td>± 0.2</td> </tr> <tr> <td>3 PLC</td> <td>± -</td> </tr> <tr> <td>4 PLC</td> <td>± -</td> </tr> <tr> <td>ANGLES</td> <td>± 2'</td> </tr> </table>		0 PLC	± 0.5	1 PLC	± 0.3	2 PLC	± 0.2	3 PLC	± -	4 PLC	± -	ANGLES	± 2'	PRODUCT SPEC	SIZE	
0 PLC	± 0.5															
1 PLC	± 0.3															
2 PLC	± 0.2															
3 PLC	± -															
4 PLC	± -															
ANGLES	± 2'															
MATERIAL		QUALIFICATION TEST REPORT	CAGE CODE	DRAWING NO												
SEE NOTE		WEIGHT	A300779	G=1734450												
FINISH		CUSTOMER DRAWING	RESTRICTED TO													
SEE NOTE		SCALE	SHEET	REV												
			2 OF 4	A1												

4

3

2

1

THIS DRAWING IS UNPUBLISHED.

RELEASED FOR PUBLICATION

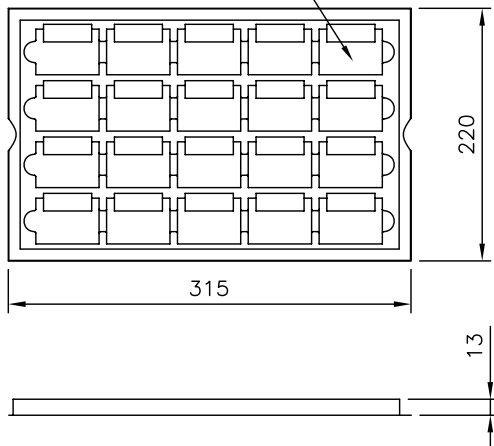
© COPYRIGHT BY TYCO ELECTRONICS CORPORATION. ALL RIGHTS RESERVED.

LOC DW DIST

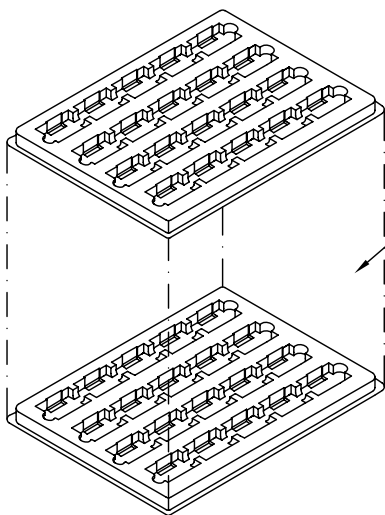
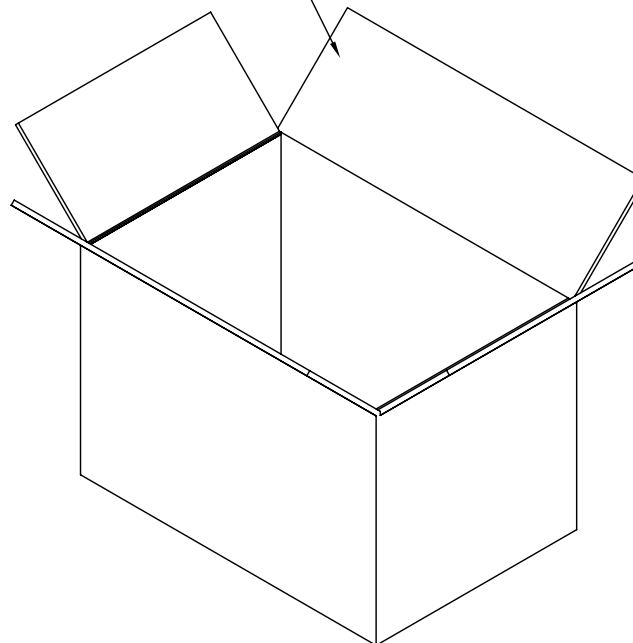
REVISIONS

P	LTR	DESCRIPTION	DATE	DWN	APVD
		SEE SHEET 1.			

TRAY
20PCS/ TRAY



CARTON SIZE
450(L)X330(W)X254(H)



TOTAL: 41 TRAYS
TOP LAYER IS EMPTY.

7.3 Kg	6.5 Kg	800
G.W	N.W	QUANTITY

THIS DRAWING IS A CONTROLLED DOCUMENT.

DIMENSIONS: MM	TOLERANCES UNLESS OTHERWISE SPECIFIED: 0 PLC ± - 1 PLC ± - 2 PLC ± - 3 PLC ± - 4 PLC ± - ANGLES ± -	DWN	Tyco Electronics Corporation Taipei, Taiwan	
		CHK	NAME	
		APVD	PIN HEADER TYPE 2, 50 POS, SMT, TOP BOARD, COMPACT FLASH CARD, STAND OFF 2.2	
MATERIAL	FINISH	PRODUCT SPEC	SIZE	RESTRICTED TO
		APPLICATION SPEC	A3 00779	
		WEIGHT	C=1734450	
CUSTOMER DRAWING		SCALE	SHEET	REV
			3 of 4	A1

4

3

2

1

THIS DRAWING IS UNPUBLISHED.

RELEASED FOR PUBLICATION

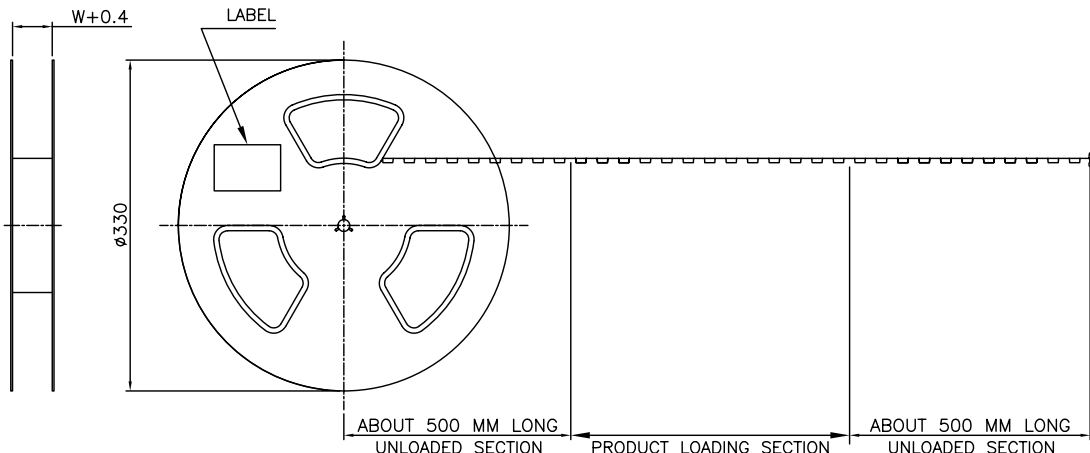
© COPYRIGHT BY TYCO ELECTRONICS CORPORATION.

ALL RIGHTS RESERVED.

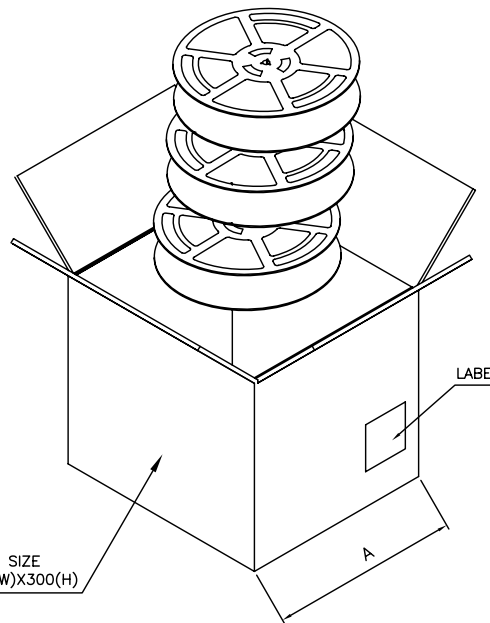
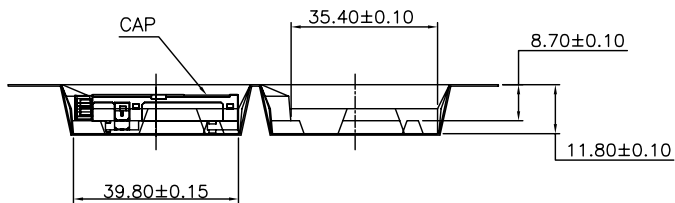
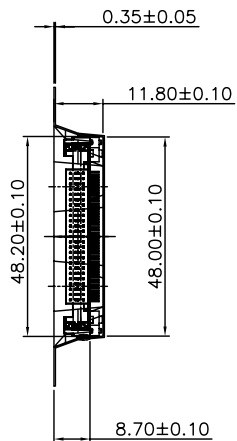
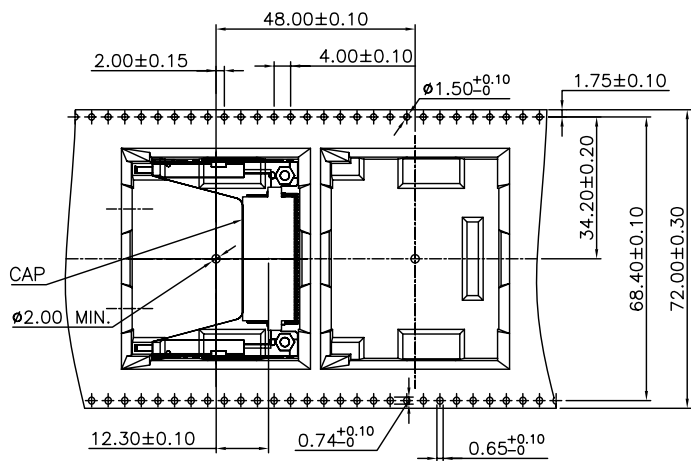
LOC DW DIST

REVISIONS

P	LTR	DESCRIPTION	DATE	DWN	APVD
		SEE SHEET 1.			



TOP OF TAPE



CARTON SIZE 350(L)X350(W)X300(H)

24	120	5	600	9	3.2
DIM W	PCS/ REEL	REELS/ CARTON	QUANTITY (PCS)	G/W (Kg)	N/W (Kg)

THIS DRAWING IS A CONTROLLED DOCUMENT.

Tyco Electronics Tyco Electronics Corporation Taipei, Taiwan

NAME: PIN HEADER TYPE 2, 50 POS, SMT, TOP BOARD, COMPACT FLASH CARD, STAND OFF 2.2

SIZE: A3 CAGE CODE: 00779 DRAWING NO: G=1734450

CUSTOMER DRAWING SCALE: SHEET 4 OF 4 REV A1

DIMENSIONS: MM	TOLERANCES UNLESS OTHERWISE SPECIFIED:
	± -
	± -
	± -
	± -
	± -
	± -

MATERIAL: FINISH: